

## Components



Meter



Remote Display



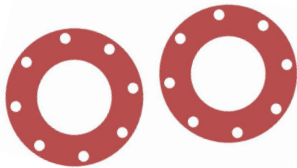
Power/Output Cable



Remote Display Cable

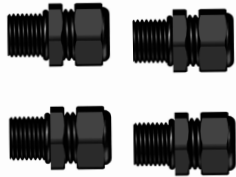


15 Pin Connector



Gaskets

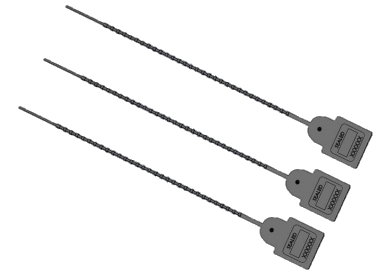
Failure to install gaskets will void warranty!



Cable Glands

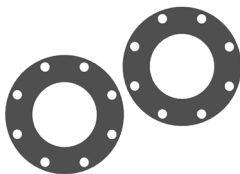


Protective faceplate cover and lanyard



Security Seals

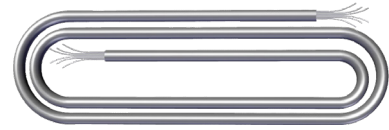
## Optional



ANSI/NSF-61 rated gaskets



Six foot AC power cable for AC configurations



Second output cable

## Recommended Tools

### Recommended:

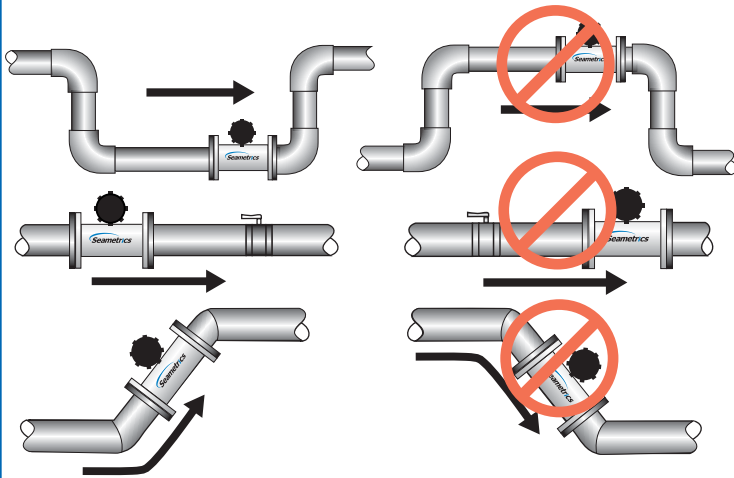
- T-15 Torx head driver
- 0.098 inch (small) flat head screw driver
- Crescent Wrench

### Optional:

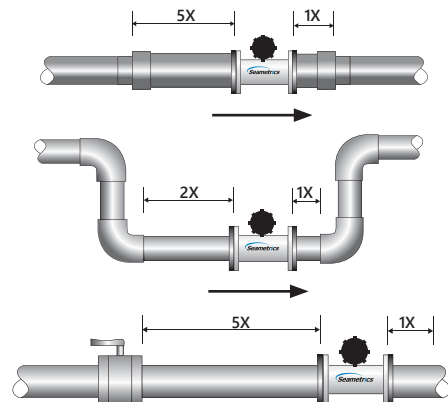
- Channel locks

## Positioning

Choose a position that will ensure a full pipe.



Choose a position that will minimize flow distortion.

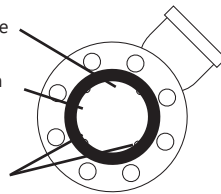


**Recommended:**  
Improved accuracy  
results from  
unimpeded electrodes

Intermittent air  
bubbles miss electrode

Electrode moved from  
top by rotating meter

Electrodes free from  
sediment build-up

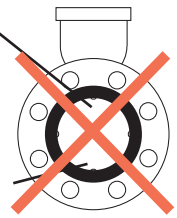


**Not Ideal:**

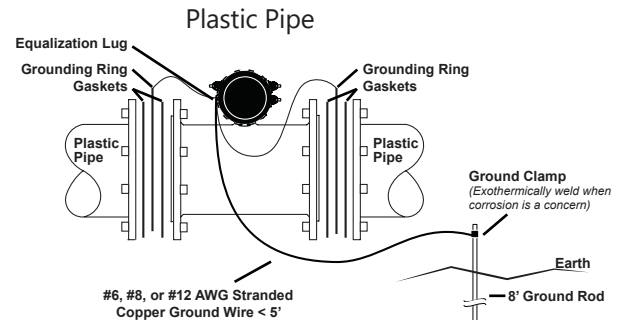
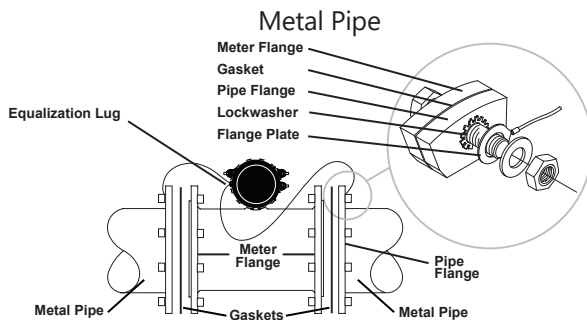
Air bubbles and  
sediment on the  
electrodes can affect  
accuracy

Intermittent air  
bubbles pass  
over electrode

Possible  
sediment  
build-up



## Grounding



## Warnings

Refer to instruction manual for further details.

- Do not weld or flame cut within 10' of meter. Heat will damage electronics and liner. (Heat will void warranty.)
- Install provided full face gaskets. **Failure to install gaskets will void warranty.**
- Tube must be completely aligned with adjoining flanges.
- Ensure proper grounding.
- Bolts must be tightened evenly. Do not over tighten one side to fill a gap.
- Improper sealing of cables or cable glands will void warranty.
- Install security seal during installation if regulations require.
- **Backup batteries are not intended as a primary power source.**

Refer to the **Electrical Quick Start Guide** or the complete instruction manual for details on wiring.