

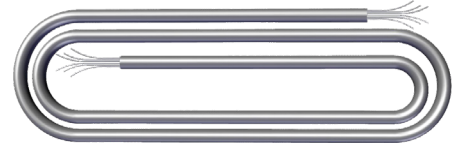
Components



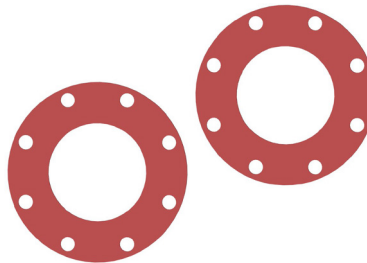
Meter and Indicator



Cable Glands

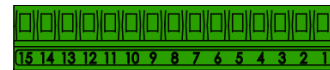


Power/Output Cable

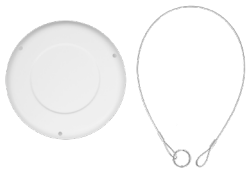


Gaskets

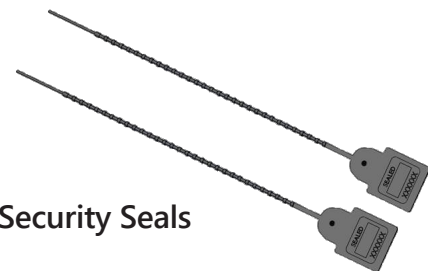
Failure to install gaskets will void warranty!



15 Pin Connector

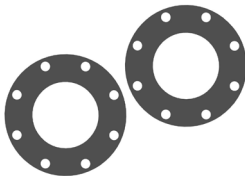


Protective faceplate cover and lanyard



Security Seals

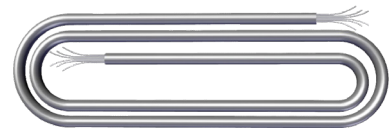
Optional



ANSI/NSF-61 Rated Gaskets



Six foot AC power cable for AC configurations



Second output cable

Recommended Tools

Recommended:

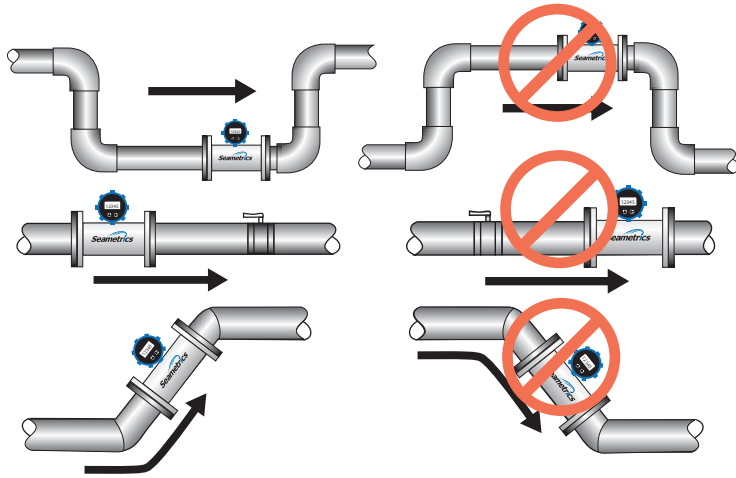
- T-15 Torx head driver
- 0.098 inch (small) flat head screw driver
- Crescent Wrench

Optional:

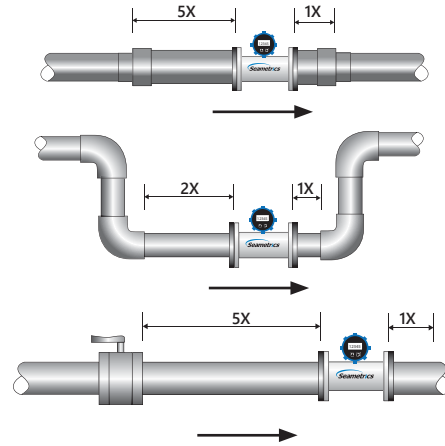
- Channel locks

Positioning

Choose a position that will ensure a full pipe.



Choose a position that will minimize flow distortion.

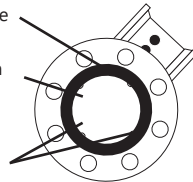


Recommended:
Improved accuracy
results from
unimpeded electrodes

Intermittent air
bubbles miss electrode

Electrode moved from
top by rotating meter

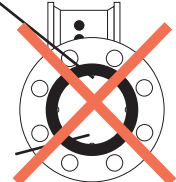
Electrodes free from
sediment build-up



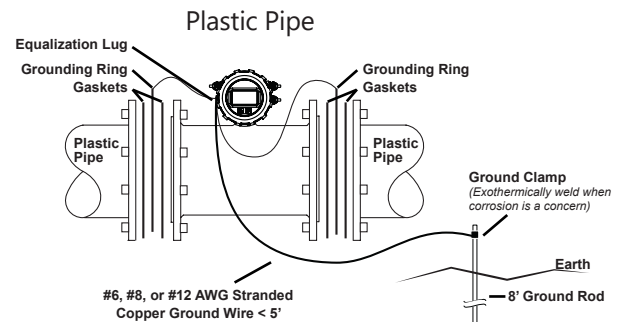
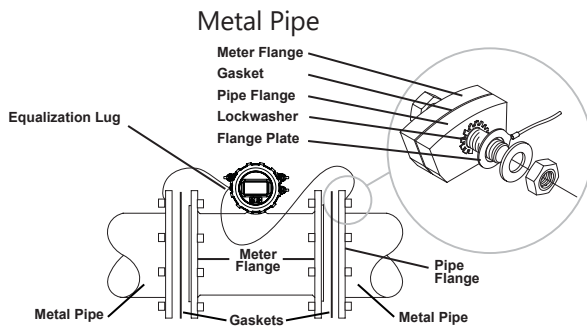
Not Ideal:
Air bubbles and
sediment on the
electrodes can affect
accuracy

Intermittent air
bubbles pass
over electrode

Possible
sediment
build-up



Grounding



Warnings

Refer to instruction manual for further details.

- Do not weld or flame cut within 10' of meter. Heat will damage electronics and liner. (Heat will void warranty.)
- Install provided full face gaskets. **Failure to install gaskets will void warranty.**
- Tube must be completely aligned with adjoining flanges.
- Ensure proper grounding.
- Bolts must be tightened evenly. Do not over tighten one side to fill a gap.
- Improper sealing of cables or cable glands will void warranty.
- Install security seal during installation if regulations require.
- **Backup batteries are not intended as a primary power source.**

Refer to the **Electrical Quick Start Guide** or the complete instruction manual for details on wiring.