

4" Coalbed Methane SUBMERSIBLE MOTORS

Motors
Drives
Controls
Protection

**3-10 hp, 200,230, 380, 575 Volts - 60 Hz
460/380 Volts - 60/50 Hz**

Franklin Electric's coalbed methane motors are built for superior dependability in 4" diameter or larger coalbed methane wells. Temperature and time rating are continuous in 86 °F (30 °C) water at 1/4 ft. per second flow past motor. Rotation: electrically reversible.

For more information, refer to Franklin Electric's "Submersible Motors: Application, Installation, Maintenance Manual."

Basic Features:

- Corrosion-resistant construction
- Stainless steel splined shaft
- Anti-track self-healing resin system
- Hermetically-sealed windings
- Water lubricated bearings
- Filter check valve
- Kingsbury-type thrust bearing rated for 1500 lbs. downthrust
- Pressure equalizing diaphragm
- Removable Water-Bloc™ lead
- NEMA pump mounting dimensions
- UL 778 recognized
- CSA C22.2 #108 certified

Coalbed Methane Motor Features:

- Exclusive Sand Fighter™ sealing system
- Reinforced diaphragm housing resists damage from bottom tagging
- Protective filter shields diaphragm from debris

WARNING: Serious or fatal electrical shock or fire hazard may result from failure to follow the instructions for proper installation and use which accompany this equipment. Do not use motor in swimming areas.

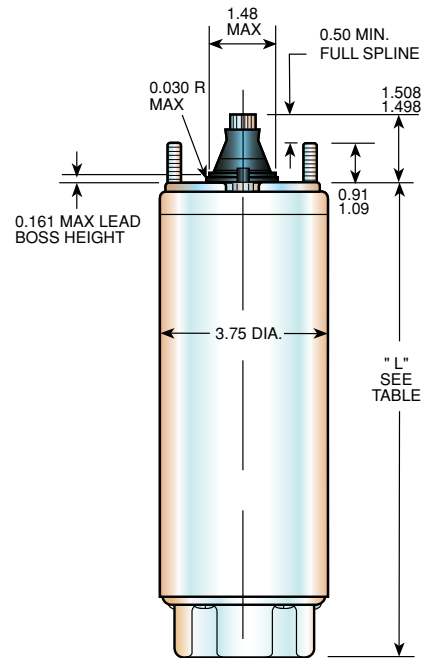


Availability

Three-Phase (Special control required)

HP	KW	"L" Dimensions		Shipping Weight	
		IN	LBS	KG	
3	2.2	20.2	47	21.3	
5	3.7	23.7	59	26.8	
7.5	5.5	29.7	74	33.6	
10	7.5	32.7	80	36.3	

Note: 60 Hz - 3,450 RPM 50 Hz - 2,875 RPM



Construction Materials

Component	Standard Water Well
Top Casting	303 SS
Bottom Casting	303 SS Over Painted Cast Iron
Stator Shell	301 SS
Stator Ends	Low Carbon Steel
Shaft Extension	17-4 SS
Fasteners	300 Series SS
Seal Cover	Sintered Bronze
Seal	Sand Fighter™ SiC/SiC Mech Seal
Diaphragm	Nitrile Rubber
Diaphragm Cup	316 SS
Diaphragm Spring	316 SS
Diaphragm Cover	Gray Iron
Slinger	Nitrile Rubber
Lead Wire (or Cable)	XLPE*
Lead Potting	Epoxy
Lead Screws / Clamp	316 SS
Filter	Delrin & Polyester

Note: *Removable type, factory-installed in 60 Hz and dual frequency rated motors. Consult catalog for additional leads. Specifications subject to change without notice. Contact Franklin Electric if current material types are required for bid specifications.



Franklin Electric

400 East Spring Street, Bluffton, Indiana 46714 • Tel: 260.824.2900 Fax: 260.824.2909 • www.franklin-electric.com