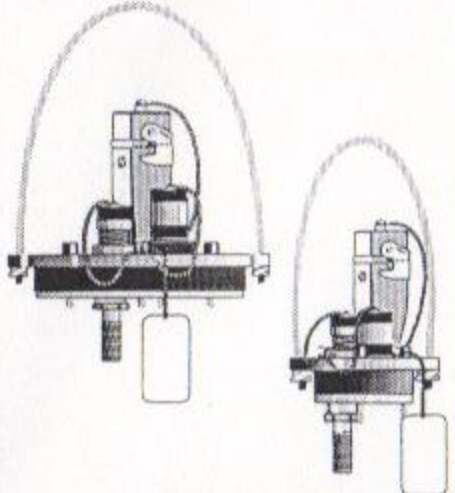


Submittal Data

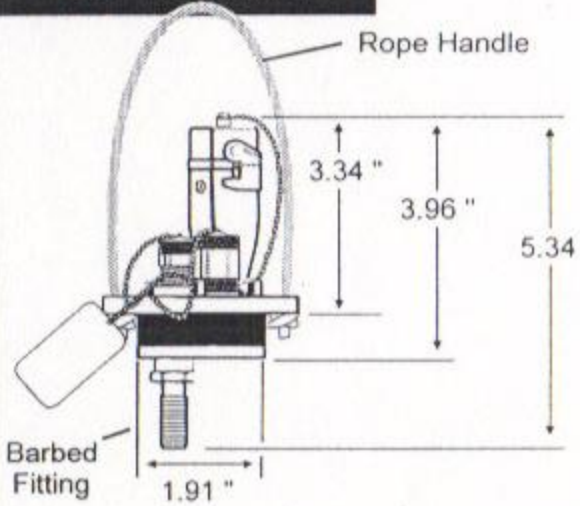
2" and 4" Seals

	JOB or CUSTOMER:	
	ENGINEER:	
	CONTRACTOR:	
	SUBMITTED BY:	DATE:
	APPROVED BY:	DATE:
	ORDER NO:	DATE:
SPECIFICATION REF:		

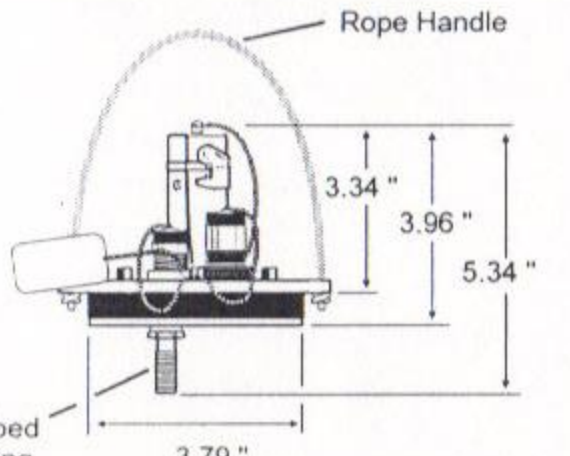
QUANTITY	TAG NO.	MODEL NO.	WELL DIAMETER	COMMENTS

Dimensions

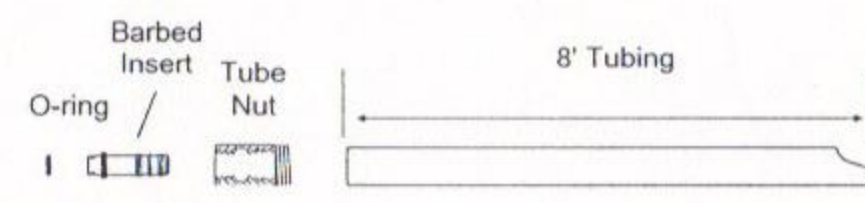
2" SEAL



4" SEAL



SAMPLING TUBE ASSEMBLY



Materials of Construction

PART	MATERIAL
Sampling Tube	Teflon® -lined polyethylene tubing (1/2" OD and 3/8" ID)
Sampling Tube Nut	Anodized aluminum
Sampling Tube Nut Plug	Anodized aluminum
Sampling Tube Insert	316 stainless steel
Sampling Tube Clamp	300 series band with 410 stainless steel screw
Sampling Tube O-Ring	Viton®
Sampling Tube Access Port Bushing	Anodized aluminum
Identification Tag	Aluminum
Allen Screws	18-8 stainless steel
Discharge Fitting Nut	316 stainless steel
Discharge Fitting	316 stainless steel
Well Seal Plate	304 stainless steel
Compression Plate	304 stainless steel
Well Seal Gasket	Neoprene
Well Seal Gasket Spacer	Anodized aluminum

NOTES: Teflon® is a registered trademark of Du Pont